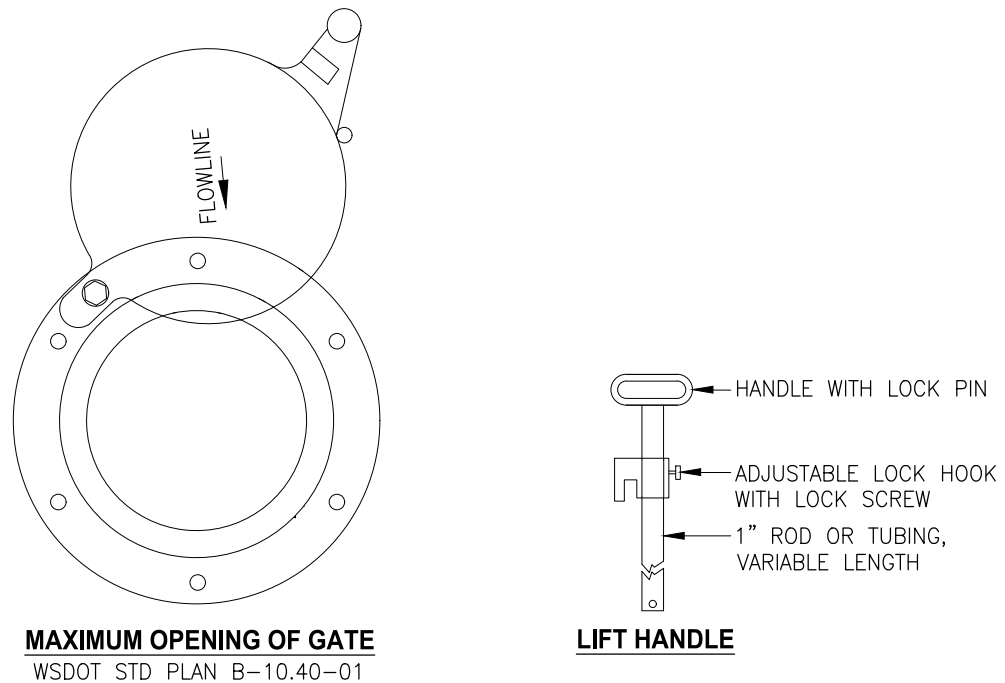
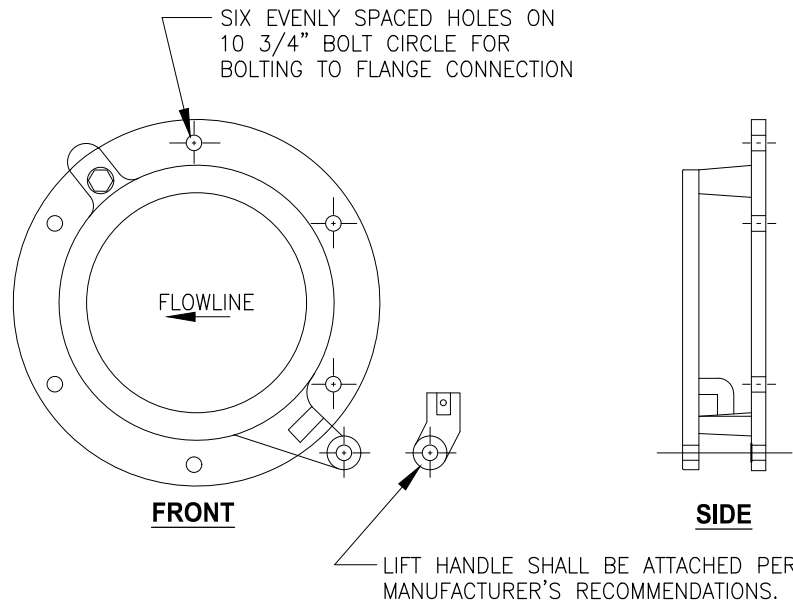


CLEANOUT / SHEAR GATE

ALTERNATES ARE ACCEPTABLE PROVIDED MATERIAL SPECIFICATIONS ARE MET AND FLANGE BOLT PATTERN MATCHES.



NOT TO SCALE



CITY OF DES MOINES
PUBLIC WORKS DEPARTMENT

ENGINEERING SERVICES
21650 11TH AVENUE SOUTH
DES MOINES, WA 98198



FLOW RESTRICTOR/OIL POLLUTION CONTROL DETAIL

DM.B1.5

REVISED: 02/23